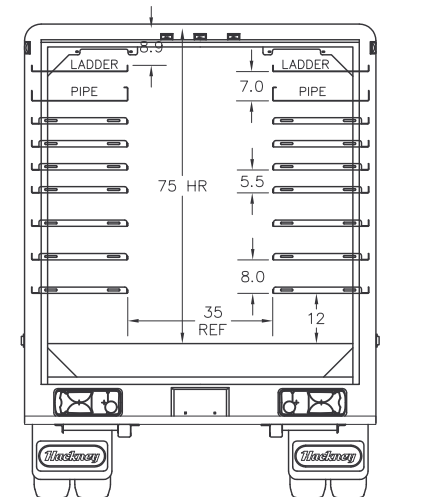
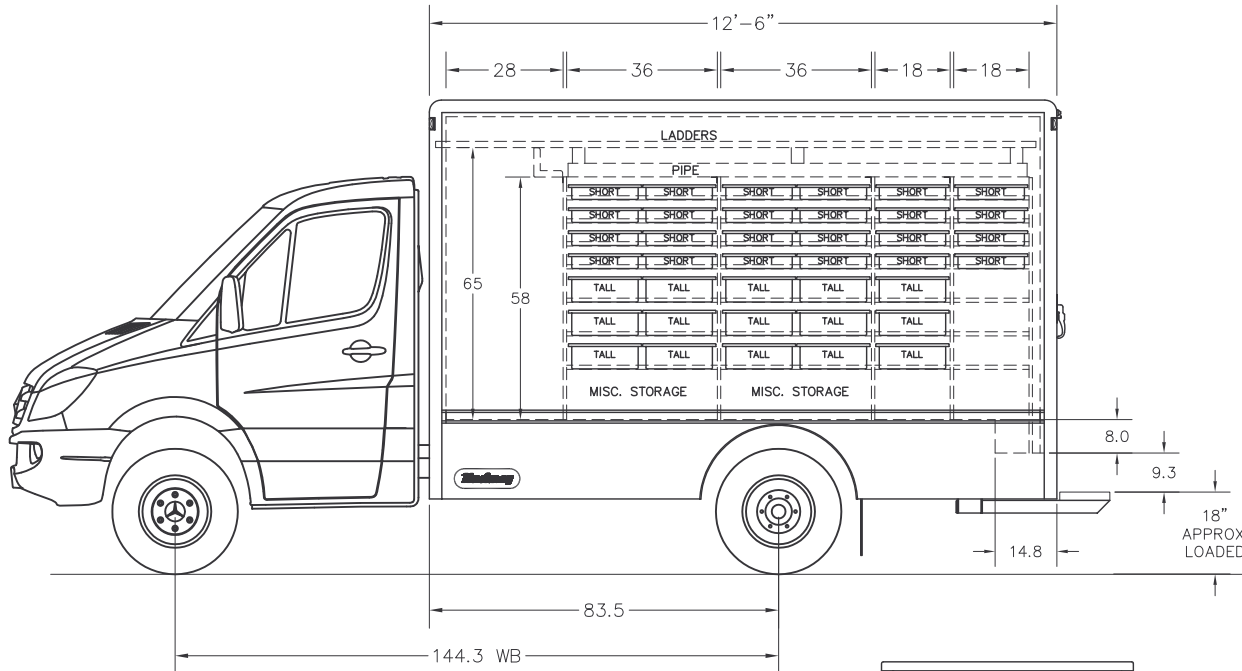
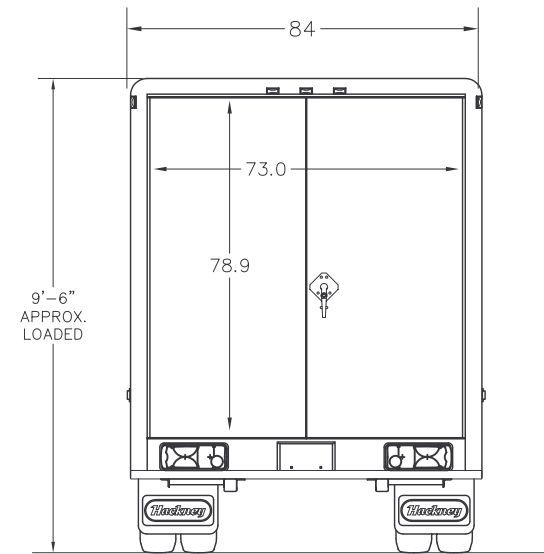
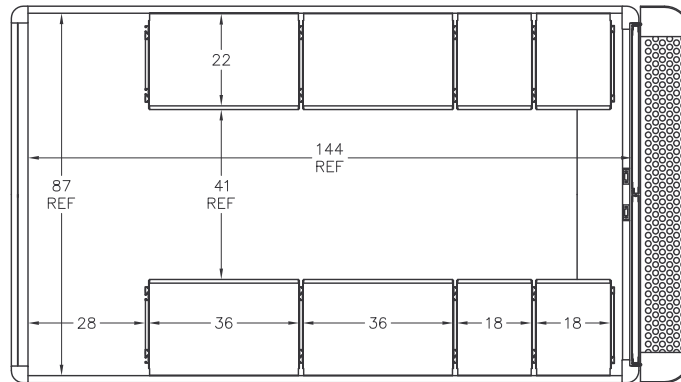


P/2000 12'-6" MODEL



SHORT TRAY
22.38"L x 17.5"W x 3.5"H (QTY. 48)

TALL TRAY
22.38"L x 17.5"W x 6.0"H (QTY. 30)

* TRAYS OPTIONAL



www.hackneyservice.com

400 Hackney Avenue
Washington, NC 27889
Toll Free 800 763-0700
Worldwide 252 946-6521
Fax 252 975-8340