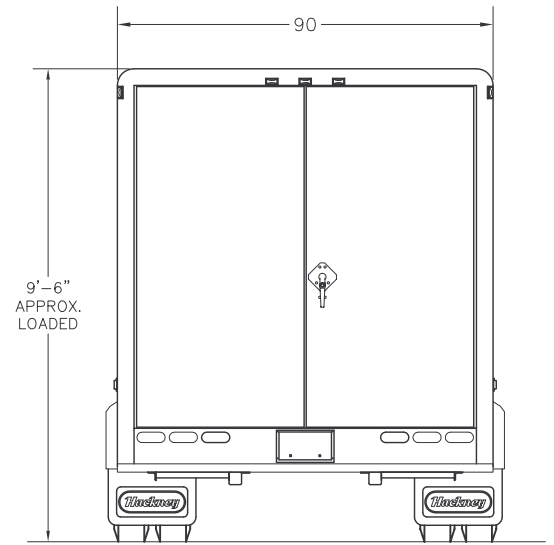
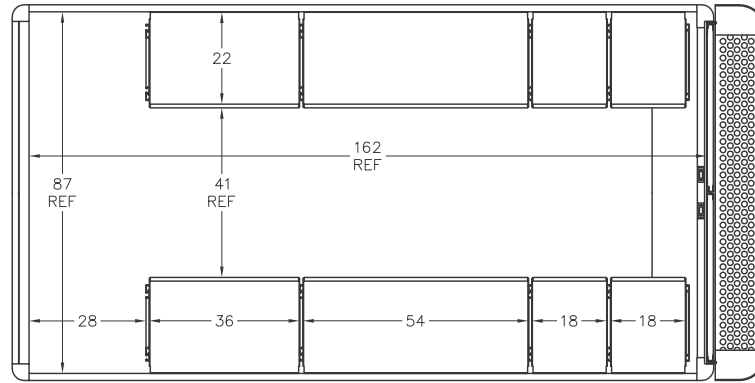
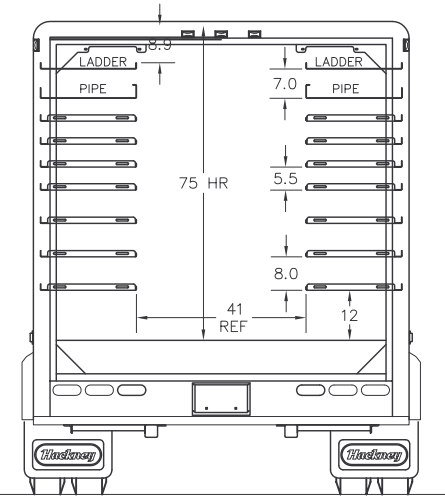
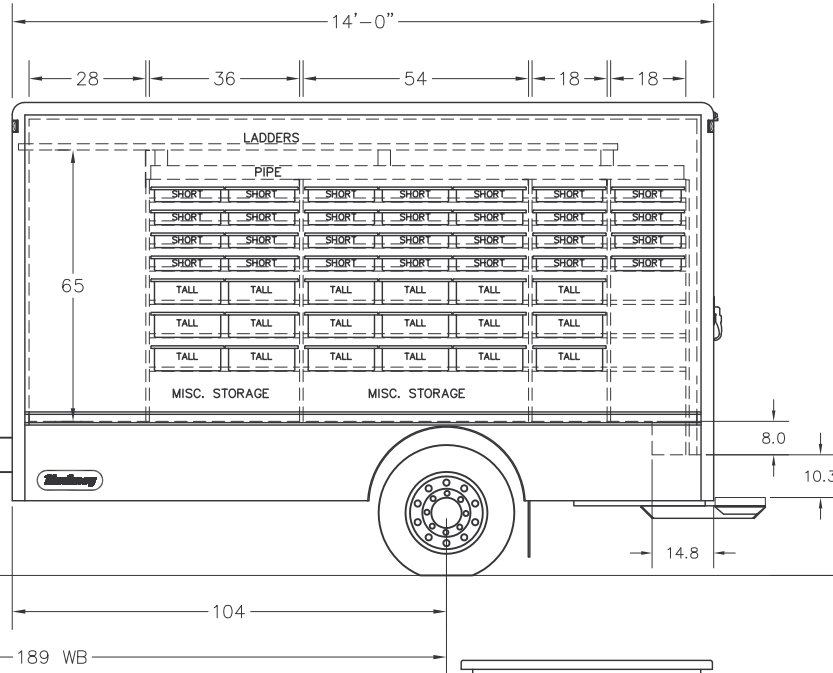
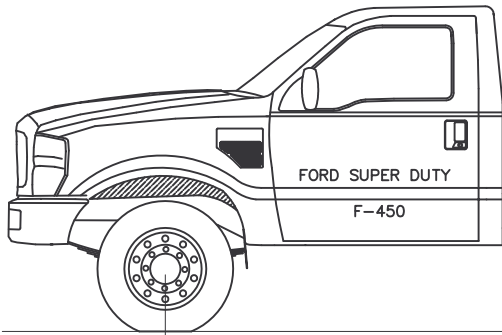


# P/2000 14' MODEL



REAR VIEW



SHORT TRAY  
22.38"L x 17.5"W x 3.5"H (QTY. 56)

TALL TRAY  
22.38"L x 17.5"W x 6.0"H (QTY. 36)

\* TRAYS OPTIONAL



[www.hackneyservice.com](http://www.hackneyservice.com)

400 Hackney Avenue  
Washington, NC 27889  
Toll Free 800 763-0700  
Worldwide 252 946-6521  
Fax 252 975-8340